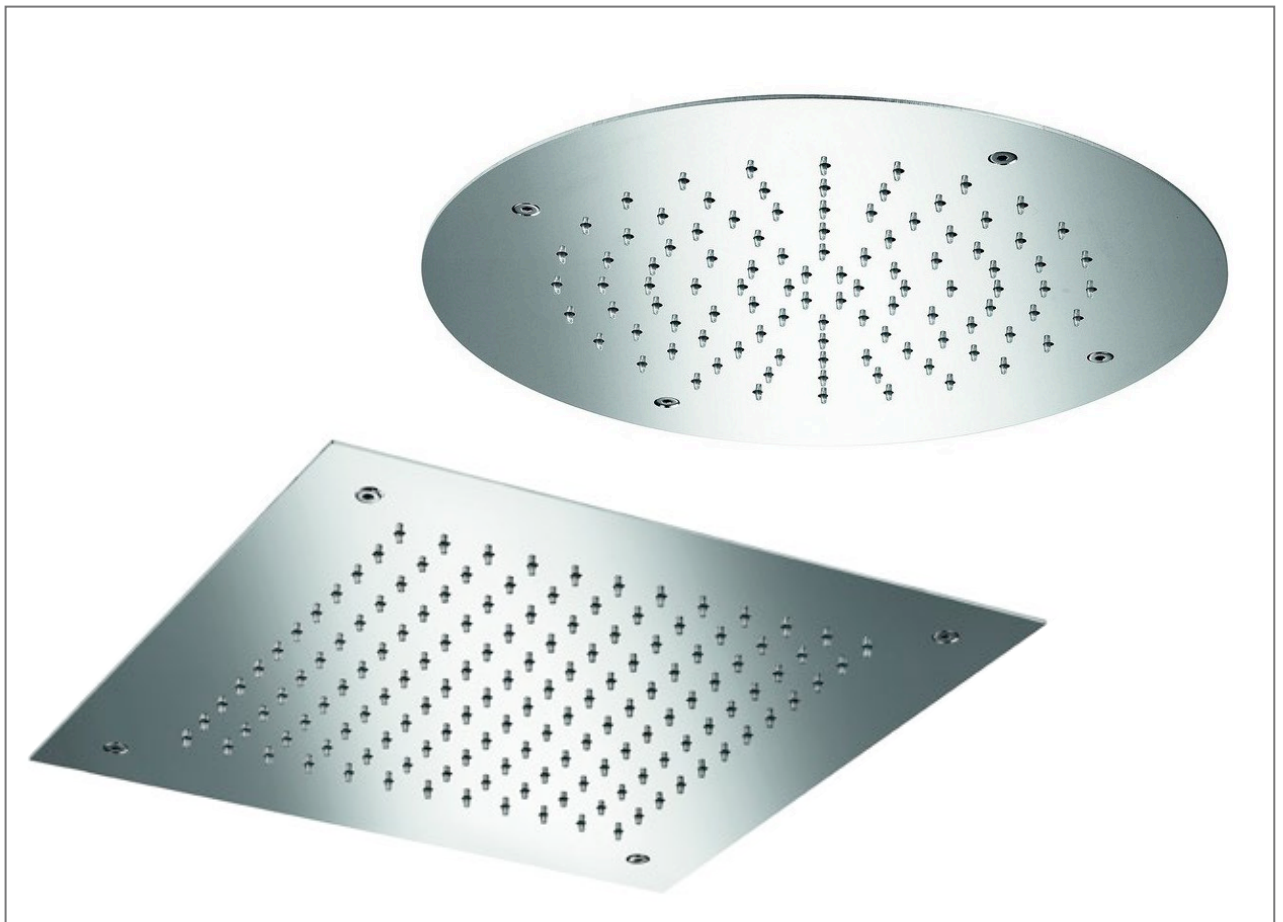


aquatica®

Function : Form : Fashion



## Polaris MCRD-380 | MCSQ-380

Built-In Shower Head

Installation & Care Manual

**EUROPE**

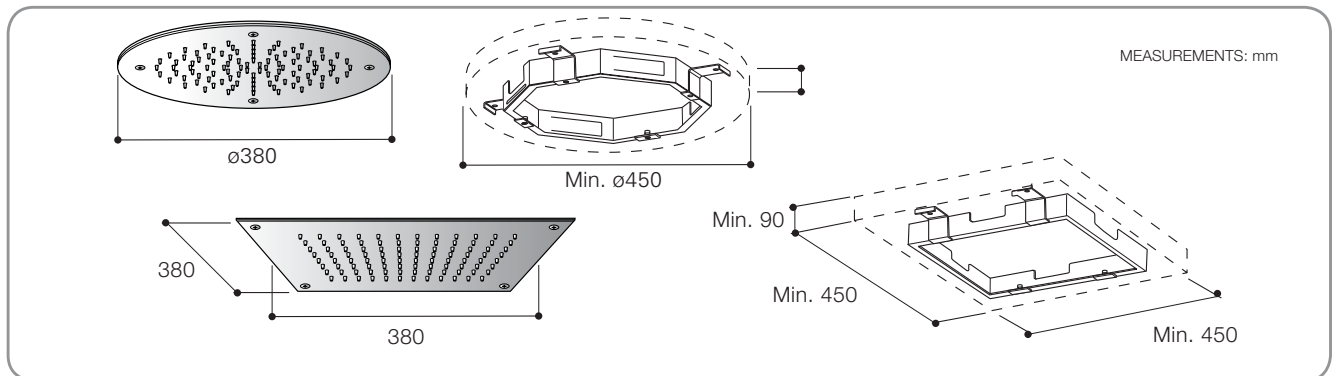
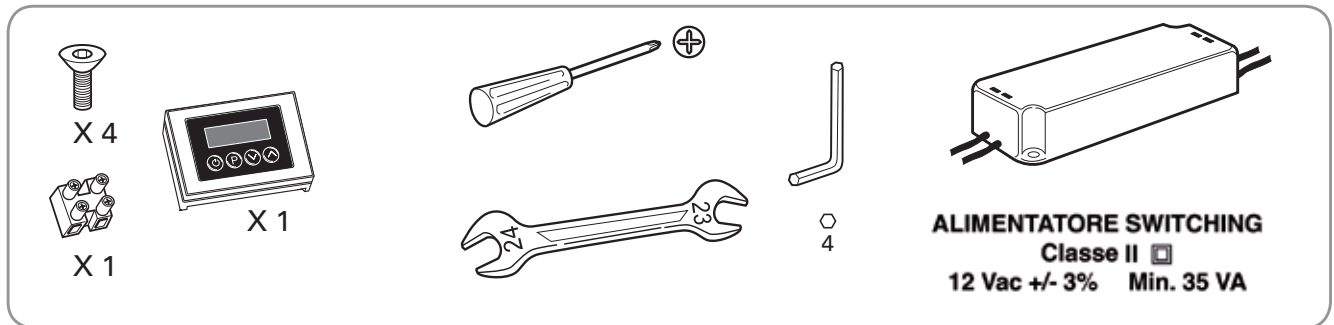
# Polaris MCRD-380 | MCSQ-380

Built-In Shower Head

TWO PEOPLE  
REQUIRED FOR  
INSTALLATION



## TOOLS REQUIRED



PRESS.		1 bar (0,1 Mpa)	2 bar (0,2 Mpa)	3 bar (0,3 Mpa)	4 bar (0,4 Mpa)	5 bar (0,5 Mpa)
<b>lit/ MIN'</b>		11,5	12	12	12	12
		11,5	12	12	12	12

**Power consumption:**

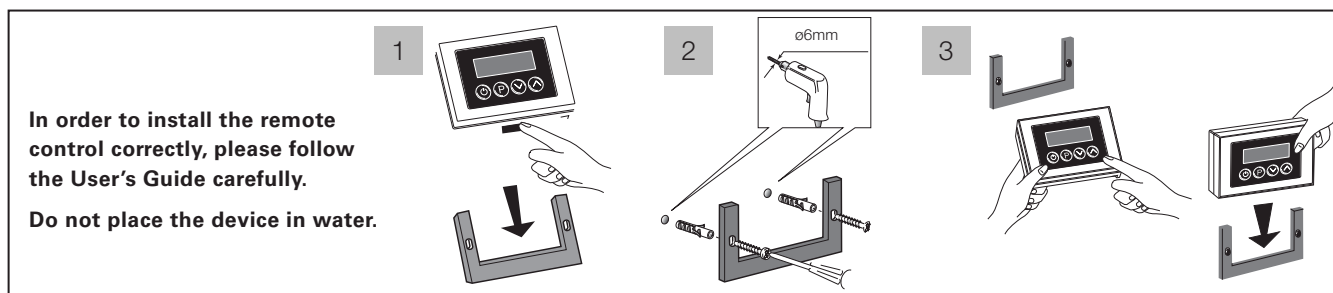
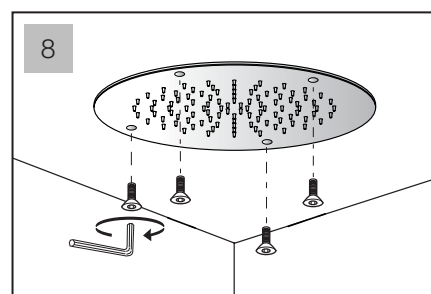
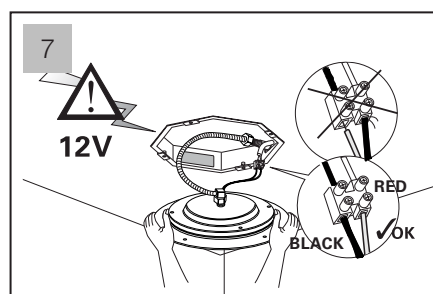
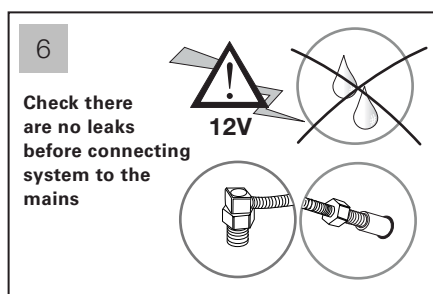
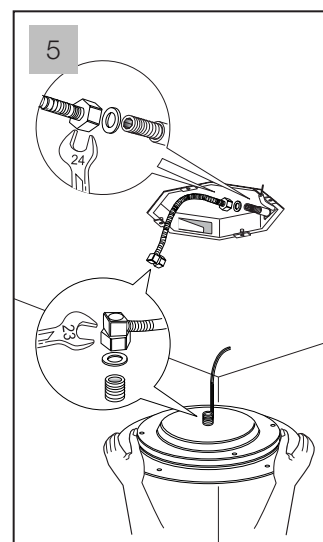
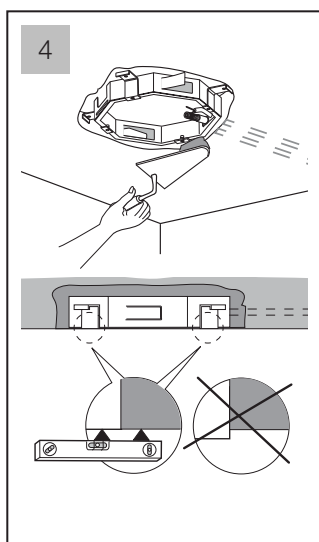
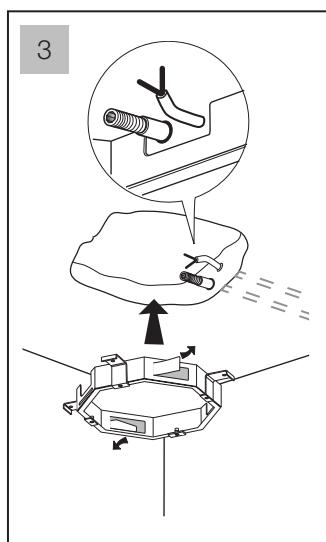
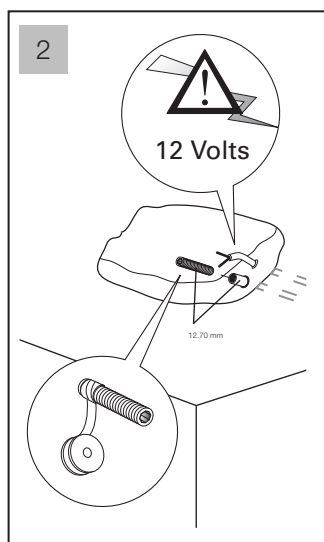
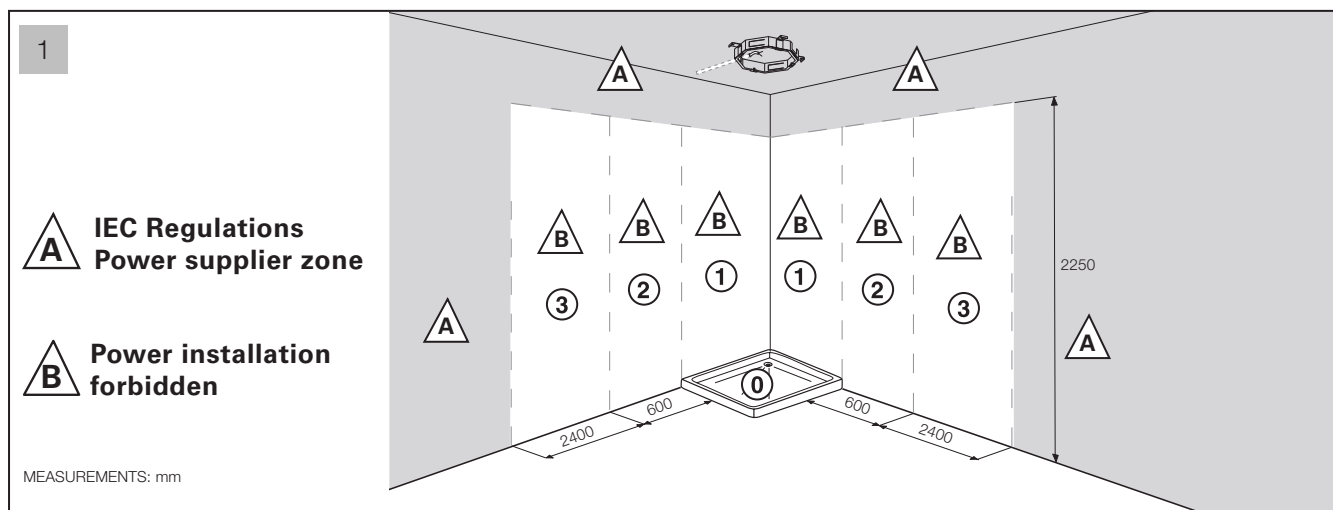
- 25W max.
- 35W max

**Operating pressure: Min:** 1 bar (0,1 Mpa) **Max:** 5 bar (0,5 Mpa)  
(For higher pressures it is necessary to install a pressure reducer)

## IMPORTANT INFORMATION

- The appliance has to be properly installed by qualified staff pursuant to the current laws.
- The device is not intended to be used by people (including children) who have not received appropriate instructions regarding the use of the unit to ensure their own safety. Children should be supervised to ensure they do not play with the appliance.
- Before performing any operation, always unplug the system from the mains.
- Place two power suppliers **Class 2-12 Vac +/-3% - Min. 35A** in the position show in **picture 1 zone A** complying with the safety distance provided for by IEC regulations.
- Arrange the outlet of the wiring and plumbing in the area shown.
- Install the appliance following the illustrated sequence on page 3.
- **Before connecting the system to the mains, check the tightness of the plumbing.**
- Replacement of the wiring, when damaged and of the spare parts **must be performed by qualified personnel only**. The manufacturer declines all responsibility in case of non-compliance with the above-said obligation.

### INSTALLATION SPECIFICATIONS



aquatica®

Function : Form : Fashion

